

COMPOSITVAC

The Compositvac range draws on 25 years of experience to composite business. These compact, stationary or mobile plants are renewed to offer a ready solution for vacuum infusion and RTM light.



Automatic plant with a lubricated rotary vane vacuum pump filled with 100% synthetic MV99S oil for long life and high efficiency



Compartmentalized vacuum tank for 2 vacuum levels, manufactured in our boiler factory

Specifications are subject to be changed without notice.

Automatic vacuum plants for composites

Regulating vacuum solenoid valve between the 2 tanks



Electrical control box with MILLENIUM PLC
2 analog vacuum sensors allowing high precision for the regulated vacuum hysteresis



7 " color touch screen option
Special program "Vacuum drop test" for high precision parts requiring traceability
RJ 45 and USB ports for data logging
Maintenance management
Display of vacuum values in large characters with mbar precision
Connection possible with LED screen for far vision



Additional 70 liter vacuum tank equipped with an 5 outlets manifold for centralized network with several vacuum levels



Vacuum degassing box with glass window
Interior capacity: D500 x 400 (80 liters)



MOBILE COMPOSITVAC

Lubricated technology

Vacuum plants specific to composite applications, enabling dual-level vacuum production

The system consists of :

- An Evisa lubricated rotary vacuum pump with gas ballast
- A control panel with Millennium PLC with or without touch screen and two analog sensors accurate to mbar
- A filter with polyester cartridge protecting the pump from particles
- A filter with activated carbon cartridge to trap aggressive odors and vapors
- A 70 or 250 liters tank mounted on wheels, 2 of which are directional with brakes



Principle

A single pump feeds two lines at different vacuum levels: the first level is used to close the molds at maximum vacuum and the second, called regulated vacuum, for assisting resin creep.

The opening and closing of the regulation solenoid valve is driven by the Millennium PLC. It ensures the vacuum level is maintained at the set point defined for each line.

Characteristics

	Nominal flow rate m ³ .h ⁻¹		Power kW		Tank capacity l	Noise level dB(A)	Weight kg
	50 Hz	60 Hz	50 Hz	60 Hz			
Mobile Compositvac E25	30	35,3	0,75	0,9	70	60	115
Mobile Compositvac E40	47,7	57,2	1,1	1,3	250	62	250
Mobile Compositvac E65	68	81,6	1,5	1,8	250	67	265

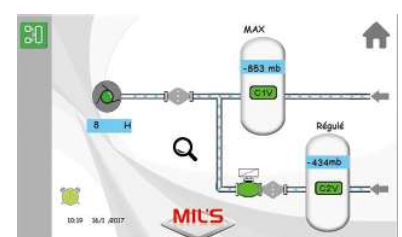
PLC functions

	MIL	MIL + Screen
Access levels	○	■
Events log	○	■
Hourmeter	■	■
Alarm log	○	■
Dry contact for alarm synthesis	■	■
Maintenance management	○	■
Ethernet port	○	■
USB port	○	■

■ Standard equipment ○ Option equipment

Power supply

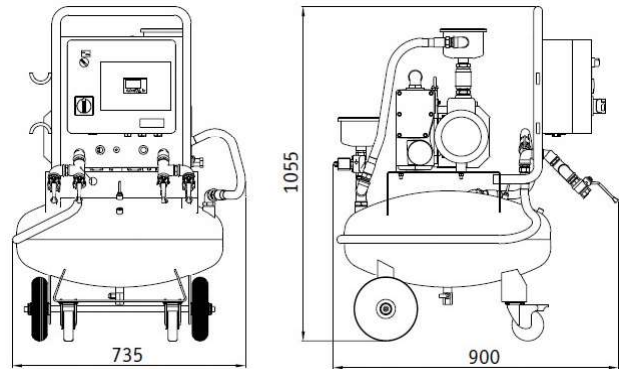
- 1-ph, 230V / 50 Hz
- 3-ph, 400V + N + E / 50Hz
- Other tensions and frequencies on request



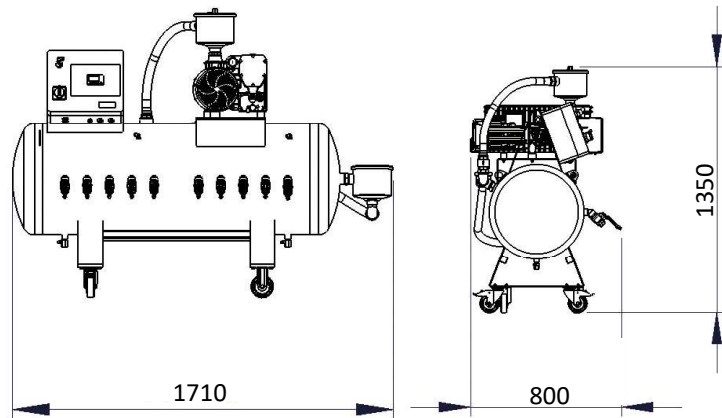
Automatic vacuum plants for composites

Dimensions (mm)

Mobile Compositvac E25



Mobile Compositvac E40 / E65



Plant references

	50 Hz	E25	E40	E65
Mobile Compositvac MIL	1-ph	919758	919788	-
Mobile Compositvac MIL	3-ph	919760	919787	919763
Mobile Compositvac MIL + touch screen	1-ph	924774	925285	-
Mobile Compositvac MIL + touch screen	3-ph	925286	924787	924788

Accessories and options references

GEKA connection	3/4" male	359980
Suction hose Ø 20 x 1000	with GEKA connections	713985
Spireacier hose Ø 20	meter	X x 056350
1 Degassing vacuum chamber (Dimensions : 500 x 400)	with sight glass	618538
	witout sight glass	618537



1 Degassing vacuum chamber

STATIC COMPOSITVAC

Lubricated technology

Vacuum plants specific to composite applications, enabling dual-level vacuum production

The system consists of :

- An Evisa lubricated rotary vacuum pump with gas ballast
- A control panel with Millennium PLC with or without touch screen and two analogue sensors accurate to mbar
- A filter with polyester cartridge protecting the pump from particles
- A filter with activated carbon cartridge to trap aggressive odors and vapors
- A 500 liter tank with 5 outlets available for maximum vacuum
- A 70 liter tank with 5 outlets available for the regulated vacuum



Principle

A single pump feeds two lines at different vacuum levels: the first level is used to close the molds at maximum vacuum and the second, called regulated vacuum, for assisting resin creep. The opening and closing of the regulation solenoid valve is driven by the Millennium PLC. It ensures the vacuum level is maintained at the set point defined for each line.

Options

An additional level of vacuum in the network can be achieved through the additional tank alone. Two versions are available either with a pneumatic vacuum regulator or with a vacuum switch and a solenoid valve

Characteristics

	Nominal flow rate m ³ .h ⁻¹		Power kW		Tank Capacity l	Noise level dB(A)	Weight kg
	50 Hz	60 Hz	50 Hz	60 Hz			
Static Compositvac E65	68	81,6	1,5	1,8	500 + 70	67	260
Static Compositvac E100	100	120	2,2	2,64	500 + 70	67	280
Static Compositvac E150	132	-	3	-	500 + 70	69	370

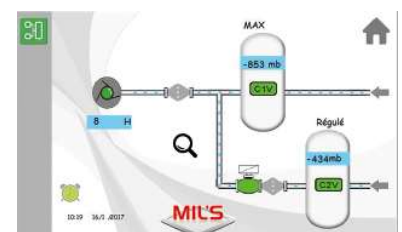
PLC functions

	MIL	MIL + Screen
Access levels	<input type="radio"/>	<input checked="" type="checkbox"/>
Events log	<input type="radio"/>	<input checked="" type="checkbox"/>
Hourmeter	<input checked="" type="checkbox"/>	<input checked="" type="checkbox"/>
Alarm log	<input type="radio"/>	<input checked="" type="checkbox"/>
Dry contact for alarm synthesis	<input checked="" type="checkbox"/>	<input checked="" type="checkbox"/>
Maintenance management	<input type="radio"/>	<input checked="" type="checkbox"/>
Ethernet port	<input type="radio"/>	<input checked="" type="checkbox"/>
USB port	<input type="radio"/>	<input checked="" type="checkbox"/>

■ Standard equipment ○ Option equipment

Power supply

- 3-ph, 400V + N+ T/ 50 Hz
- 3-ph, 380V + N + T / 60Hz
- Other tensions and frequencies on request

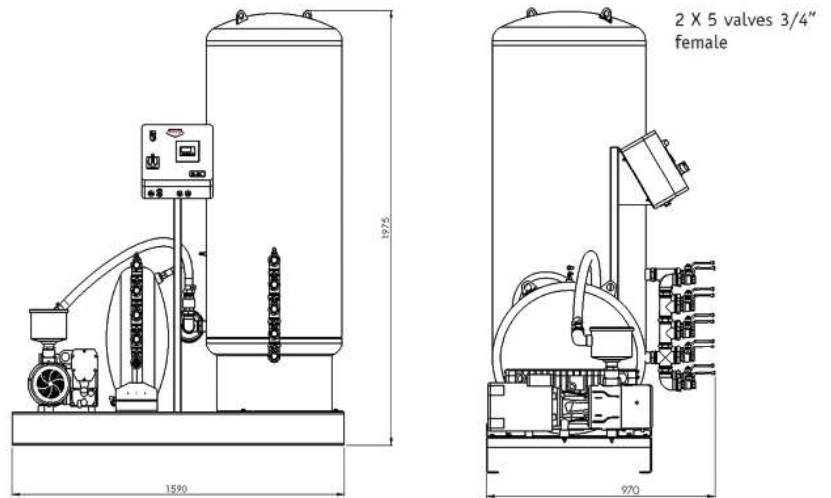


7" screen plant layout

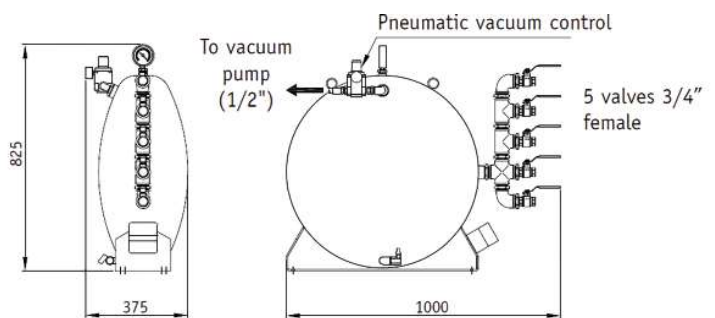
Automatic vacuum plants for composites

Dimensions (mm)

Static Compositvac E65 / E100 / E150



Additional 70 liters tank



Plant references

		E65	E100	E150
Static Compositvac MIL	3-ph, 400V / 50 Hz	919780	919781	923707
Static Compositvac MIL + touch screen	3-ph, 400V / 50 Hz	925287	925288	925346
	3-ph, 380V / 60 Hz	925203	924903	-
Additional tank (70 liters)	with mechanical vacuum switch		615345	
	with vacuum regulator		621197	

Accessories and options references

GEKA connection	3/4" male	359980
Suction hose Ø 20 x 1000	with GEKA connections	713985
Spireacier hose Ø 20	meter	X x 056350
1 Degassing vacuum chamber (Dimensions : 500 x 400)	with sight glass	618538
	witout sight glass	618537



1 Degassing vacuum chamber